

# FMP 039

**Maximum pressure 110 bar**  
**Flow rates to 80 l/min**



## Technical data

### Filter housing (Materials)

- Head: Anodized aluminium
- Housing: Anodized aluminium
- Bypass valve: Steel

### Pressure

- Working pressure: 110 bar (11 MPa)
- Test pressure: 170 bar (17 MPa)
- Burst pressure: 330 bar (33 MPa)
- Pulse pressure fatigue test: 1.000.000 cycles with pressure from 0 to 110 bar (11 MPa)

### Temperature

- From -25 °C to +110 °C

### Bypass valve

- Opening pressure 6 bar  $\pm$ 10%
- Other opening pressures on request.

### $\Delta p$ Elements type

- Microfibre filter elements series N: 20 bar
- Wire mesh filter elements series N: 20 bar
- Fluid flow through the filter element from OUT to IN.

### Seals

- Standard NBR series A
- Optional FPM series V

### FMP 039 FILTERS ARE PROVIDED FOR VERTICAL MOUNTING

#### Weights (kg)

Length	2	3	4
• FMP 039	0,60	0,70	0,80

#### Volumes (dm<sup>3</sup>)

Length	2	3	4
• FMP 039	0,19	0,26	0,34

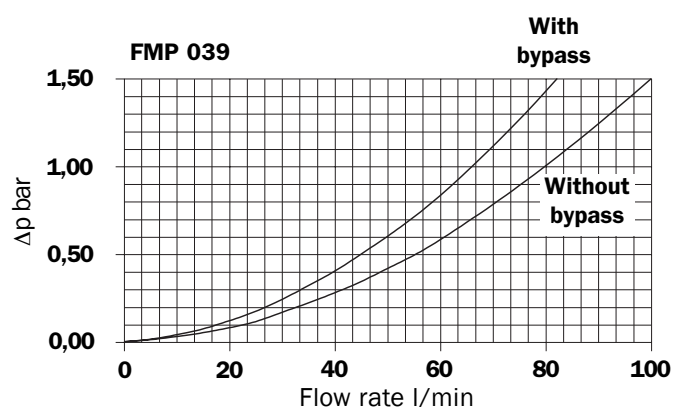
### Connections

- FMP 039: In-line Inlet/Outlet

### Filter housings $\Delta p$ pressure drop

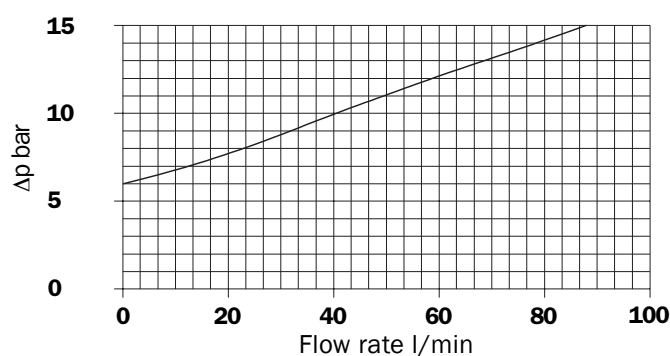
The curves are plotted utilising mineral oil with density of 0.86 kg/dm<sup>3</sup> to ISO 3968.

$\Delta p$  varies proportionally with density.



### Valves

#### Bypass valve pressure drop



### Recommended maximum flow rate

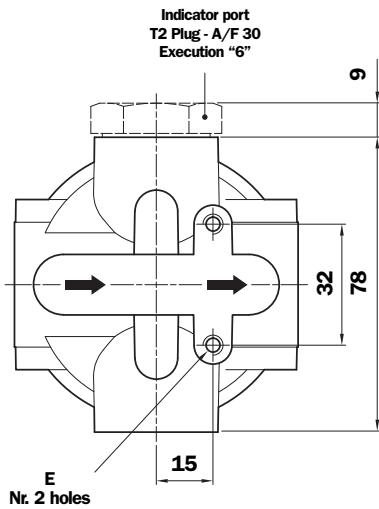
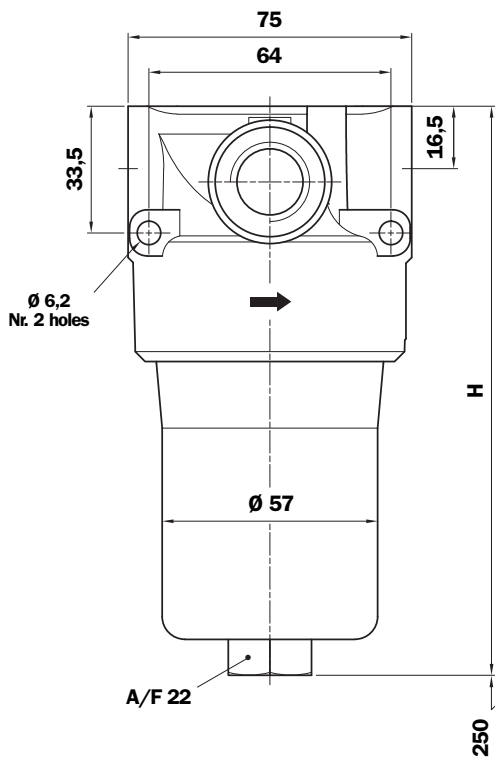
- Pressure drop of filter assembly equal to  $\Delta p$  1,5 bar.
- Oil kinematic viscosity 30 mm<sup>2</sup>/s (cSt).
- Density 0,86 kg/dm<sup>3</sup>.
- Connections of filter under test G 1/2".

### Filtration

	Length	A03	A06	A10	A16	A25	M25
<b>FMP 039</b>	2	18	23	39	44	52	72
	3	30	33	48	54	64	77
	4	38	42	56	61	70	80

Series N - Flow rate l/min

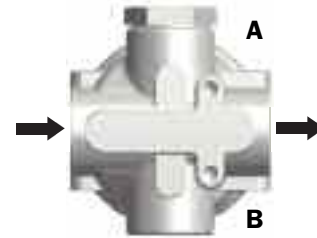
# FMP 039



## Execution 1: Without indicator connection



## Execution 6: Double indicator connection (A - B)

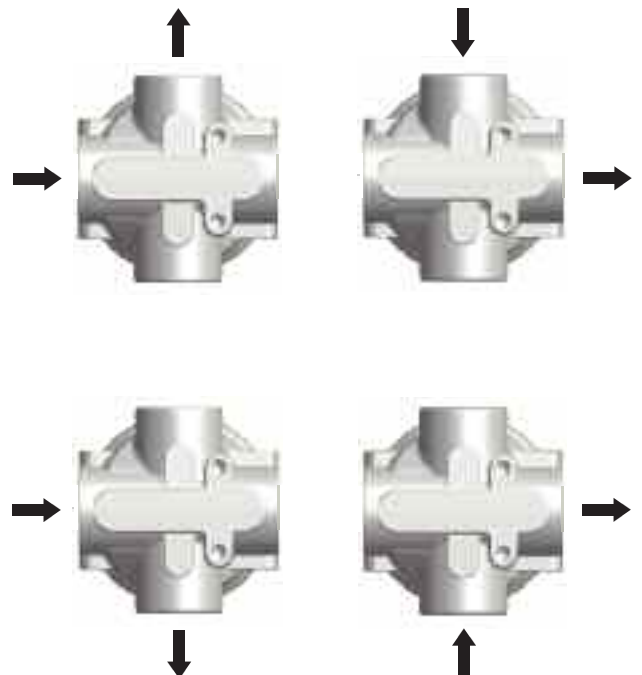


**A:**  
Closure cap with standard T2 steel.  
The position of the cap is reversible.

**B:**  
Standard closure cap with plastic  
thread protection.

If necessary, the second plug T2,  
see page 15 ordering information.

## Special connections on request



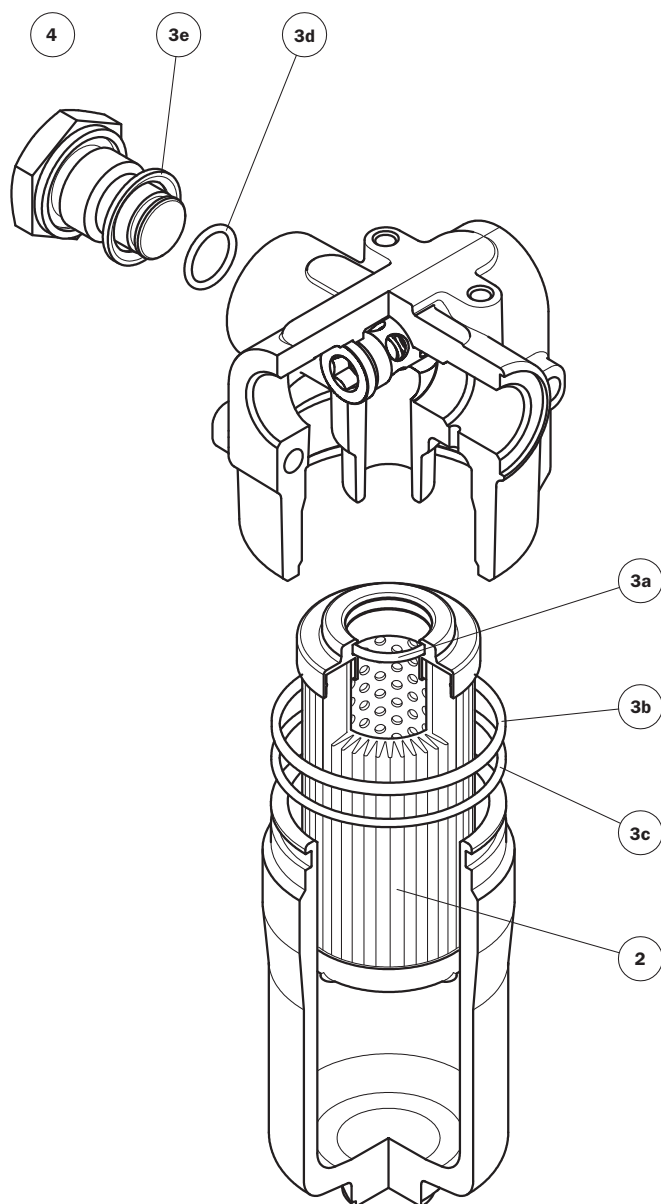
### FMP 039

Length Filter	H mm
2	151
3	194
4	238

### Thread connections

Type	Size	E Depth 6 mm
A	G 1/2"	M6
B	1/2" NPT	1/4" UNC
C	SAE 8 - 3/4" - 16 UNF	1/4" UNC

# Spare parts



Item	Description	Q.ty	FILTER Series FMP 039	
1	Filter assembly	1	See order table	
2	Filter element	1	See order table	
3	Seal Kit	1	NBR 02050509	FPM 02050510
3a	O-Ring for filter element	1	O-R 4087 Ø 21,82 x 3,53	
3b	O-Ring for housing	1	O-R 3200 Ø 50,47 x 2,62	
3c	Anti-extrusion ring	1	Parbak 136 Ø 51,26 x 2,18	
3d	O-Ring indicator	2	O-R 2050 Ø 12,42 x 1,78	
3e	Seal	2	01030058 (HNBR)	01030046 (FPM)
4	Indicator connection plug	1	T2H	T2V

# Ordering information FMP 039

## Filter assembly FMP

	<b>1</b>	<b>2</b>	<b>3</b>	<b>4</b>	<b>5</b>	<b>6</b>	<b>7</b>	<b>8</b>	<b>9</b>
	<input type="checkbox"/>	<input type="checkbox"/>	<input type="checkbox"/>	<input type="checkbox"/>	<input type="checkbox"/>	<input type="checkbox"/>	<input type="checkbox"/>	<input type="checkbox"/>	<input type="checkbox"/>
<b>Example: FMP</b>	<b>039</b>	<b>2</b>	<b>B</b>	<b>A</b>	<b>A</b>	<b>1</b>	<b>A10</b>	<b>N</b>	<b>P01</b>

## Filter element HP

	<b>1</b>	<b>2</b>	<b>7</b>	<b>4</b>	<b>8</b>	<b>9</b>
	<input type="checkbox"/>	<input type="checkbox"/>	<input type="checkbox"/>	<input type="checkbox"/>	<input type="checkbox"/>	<input type="checkbox"/>
<b>Example: HP</b>	<b>039</b>	<b>2</b>	<b>A10</b>	<b>A</b>	<b>N</b>	<b>P01</b>

### 1 - Style

<b>Filter</b>	<b>Filter element</b>
<input type="checkbox"/> <b>039</b>	<input type="checkbox"/> <b>039</b>

### 2 - Filter length

<input type="checkbox"/> <b>039</b>	<input type="checkbox"/> <b>2</b>	<input type="checkbox"/> <b>3</b>	<input type="checkbox"/> <b>4</b>
-------------------------------------	-----------------------------------	-----------------------------------	-----------------------------------

### 3 - Valves

<input type="checkbox"/> <b>S</b>	Without bypass
<input type="checkbox"/> <b>B</b>	With bypass

### 4 - Filter seals

<input type="checkbox"/> <b>A</b>	NBR
<input type="checkbox"/> <b>V</b>	FPM
<input type="checkbox"/>	On request

### 5 - Connections

#### Threaded

#### FMP 039

Type	Size
<b>A</b>	G 1/2"
<b>B</b>	1/2" NPT
<b>C</b>	SAE 8 - 3/4" - 16 UNF

### 6 - Indicator port

<input type="checkbox"/> <b>1</b>	Without indicator port
<input type="checkbox"/> <b>6</b>	With 2 indicators port*

### 7 - Filter element

<input type="checkbox"/> <b>A03</b>	Inorganic microfibre 3 $\mu$	Absolute filtration Inorganic Microfibre $\beta_x(c) \geq 1000$
<input type="checkbox"/> <b>A06</b>	Inorganic microfibre 6 $\mu$	
<input type="checkbox"/> <b>A10</b>	Inorganic microfibre 10 $\mu$	
<input type="checkbox"/> <b>A16</b>	Inorganic microfibre 16 $\mu$	
<input type="checkbox"/> <b>A25</b>	Inorganic microfibre 25 $\mu$	Nominal Filtration Metal mesh
<input type="checkbox"/> <b>M25</b>	Wire mesh 25 $\mu$	

### 8 - Max filter element differential pressure

<input type="checkbox"/> <b>N</b>	$\Delta p$ 20 bar
-----------------------------------	-------------------

### 9 - Option

<input type="checkbox"/> <b>P01</b>	MP Filtri standard
<input type="checkbox"/> <b>Pxx</b>	On request

#### \* Indicator plug:

Phosphated Steel plug T2 has to be ordered separately.

#### Code

<input type="checkbox"/> <b>T2H</b>	Seal NBR
<input type="checkbox"/> <b>T2V</b>	Seal FPM