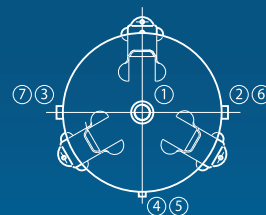
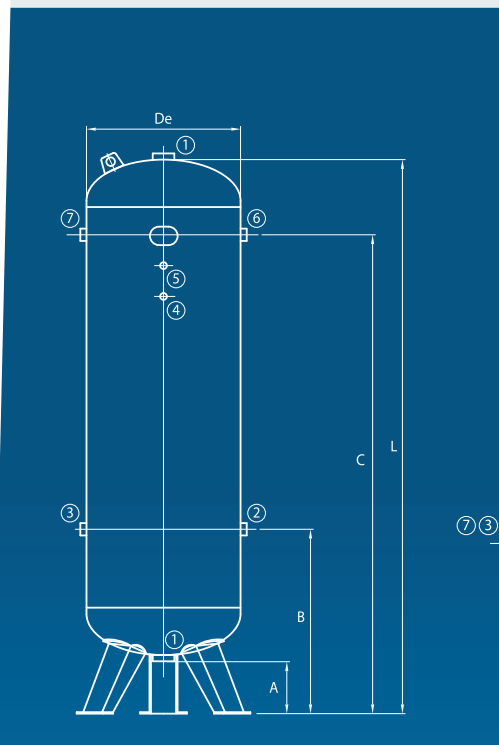


SERBATOI IN ACCIAIO INOX VERTICALI



- **MATERIALE: ACCIAIO INOSSIDABILE AISI 304/316L**
- **FLUIDO CONTENUTO: ARIA COMPRESSA / AZOTO / ARIA COMPRESSA E ACQUA (GRUPPO 2)**
- **TRATTAMENTO: TRATTAMENTO INTERNO ED ESTERNO DI DECAPAGGIO E PASSIVAZIONE**
- **SU RICHIESTA: TRATTAMENTO ESTERNO DI ELETTROLUCIDATURA**



DIRETTIVA	2014/68/UE (PED)	2014/68/UE (PED)
PRESSIONE DI ESERCIZIO	11 BAR	11 BAR
TEMPERATURA DI ESERCIZIO	*-80 +120°C	-55 +80°C

CODICE	Direttiva	Capacità nominale	Pressione esercizio	De	A	B	C	L	1	2	3	4	5	6	7	Peso
AISI 304		Lt	Bar	mm	mm	mm	mm	mm	inch	inch	inch	inch	inch	inch	inch	Kg
VES03153	2014/68/UE (PED)	*24	11	240	40	185	577	723	1/2"	-	1/2"	-	-	1/2"	-	15
VES01881	2014/68/UE (PED)	*50	11	305	125	280	721	933	1/2"	1/2"	-	-	-	-	1/2"	21
VES01883	2014/68/UE (PED)	*100	11	370	170	298	948	1106	1/2"	3/4"	-	3/8"	3/8"	-	3/4"	32
VES03203	2014/68/UE (PED)	*150	11	446	165	-	922	1254	1/2"	-	-	1/4"	-	1"	1"	49
VES01885	2014/68/UE (PED)	*200	11	446	160	516	1216	1554	1/2"	1"	-	3/8"	3/8"	-	1"	55
VES01887	2014/68/UE (PED)	*270	11	500	165	584	1303	1748	1/2"	1"	1"	3/8"	3/8"	1"	-	69
VES01889	2014/68/UE (PED)	500	11	600	160	785	1655	2055	1/2"	1"	1"	-	3/8"	1"	1"	125
VES01891	2014/68/UE (PED)	1000	11	800	140	732	1672	2353	2"	2"	2"	3/8"	3/8"	2"	2"	377
VES02812	2014/68/UE (PED)	1500	11	1000	170	680	1780	2305	2"	2"	2"	1/2"	1/2"	2"	2"	634
VES02773	2014/68/UE (PED)	2000	11	1100	170	740	1940	2460	2"	2"	2"	1/2"	1/2"	2"	2"	810
VES03787	2014/68/UE (PED)	3000	11	1200	150	878	220	2871	2"	2"	2"	1/2"	1/2"	2"	2"	942

AISI 316L		Lt	Bar	mm	mm	mm	mm	mm	inch	inch	inch	inch	inch	inch	inch	Kg
VES03155	2014/68/UE (PED)	*24	11	240	40	185	577	723	1/2"	-	1/2"	-	-	1/2"	-	15
VES01882	2014/68/UE (PED)	*50	11	305	125	280	721	933	1/2"	1/2"	-	-	-	-	1/2"	21
VES01884	2014/68/UE (PED)	*100	11	370	170	298	948	1106	1/2"	3/4"	-	3/8"	3/8"	-	3/4"	32
VES03204	2014/68/UE (PED)	*150	11	446	165	-	922	1254	1/2"	-	-	1/4"	-	1"	1"	49
VES01886	2014/68/UE (PED)	*200	11	446	160	516	1216	1554	1/2"	1"	-	3/8"	3/8"	-	1"	55
VES01888	2014/68/UE (PED)	*270	11	500	165	584	1303	1748	1/2"	1"	1"	3/8"	3/8"	1"	-	69
VES01890	2014/68/UE (PED)	500	11	600	160	785	1655	2055	1/2"	1"	1"	-	3/8"	1"	1"	125
VES01892	2014/68/UE (PED)	1000	11	800	140	732	1672	2353	2"	2"	2"	3/8"	3/8"	2"	2"	377
VES02813	2014/68/UE (PED)	1500	11	1000	170	680	1780	2305	2"	2"	2"	1/2"	1/2"	2"	2"	634
VES02774	2014/68/UE (PED)	2000	11	1100	170	740	1940	2460	2"	2"	2"	1/2"	1/2"	2"	2"	810
VES03788	2014/68/UE (PED)	3000	11	1200	150	878	220	2871	2"	2"	2"	1/2"	1/2"	2"	2"	942